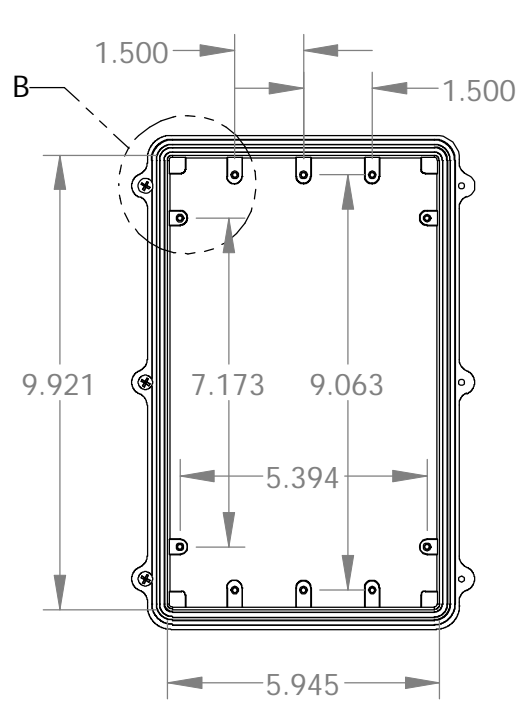
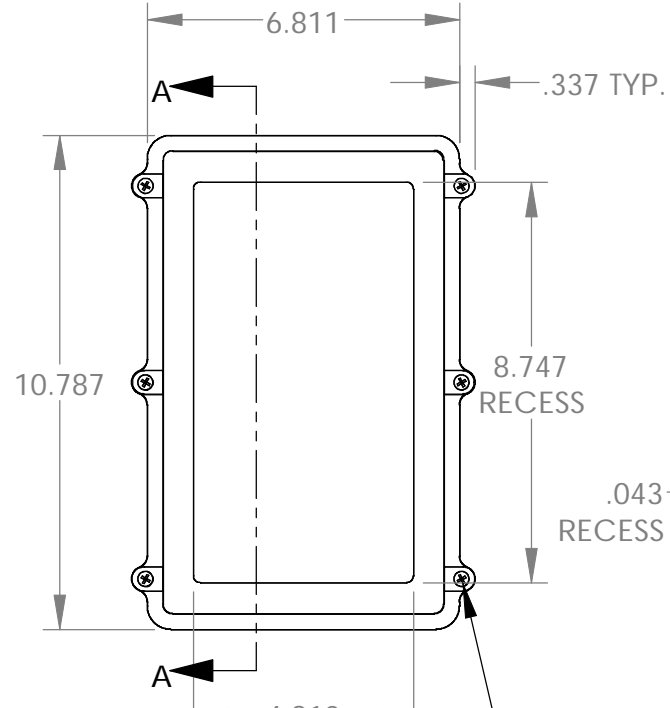


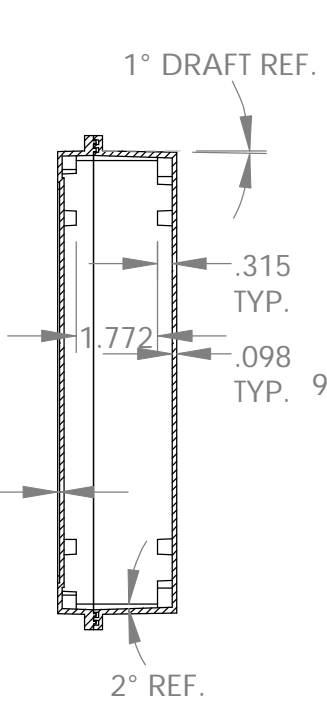
PART NAME	NEMA DIE CAST BOX WITH EMI/RFI SHIELDING	PART No.	ANS-3809    ANS-3809-B	REVISION DATE	-
-----------	--	----------	------------------------	---------------	---



INSIDE BODY DETAILS

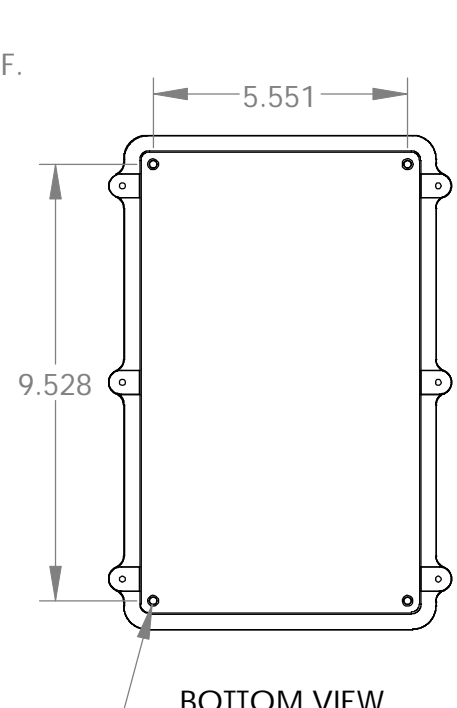


TOP VIEW



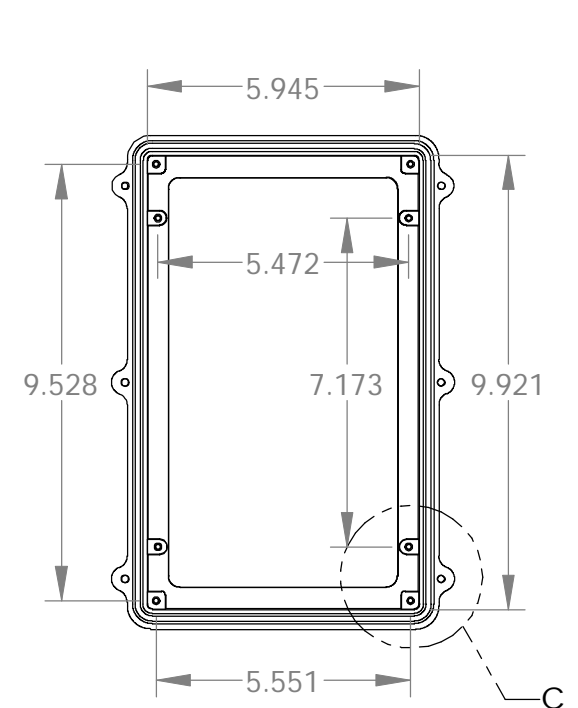
SECTION A-A

SIX (6) M4 x 20mm (.787") LG. STAINLESS STEEL CAPTIVE SCREWS

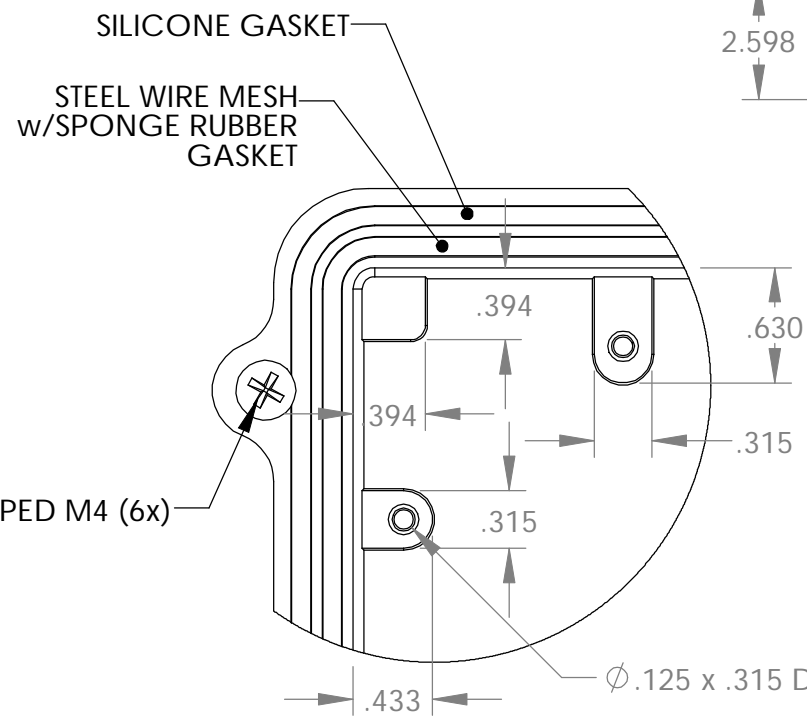
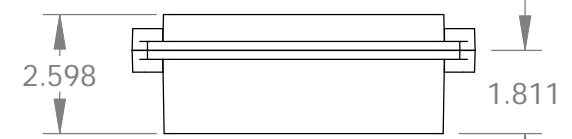


BOTTOM VIEW

Ø .175 x .315 DEEP (4x)  
ACCEPTS M5 x 10mm (.394") LG. SELF-TAPPING SCREWS (NOT SUPPLIED)

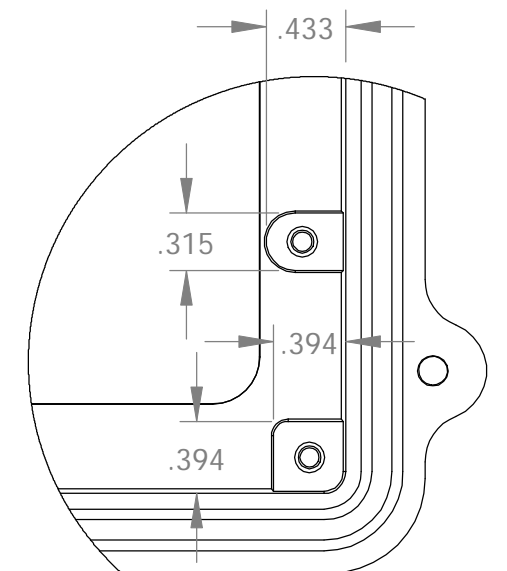
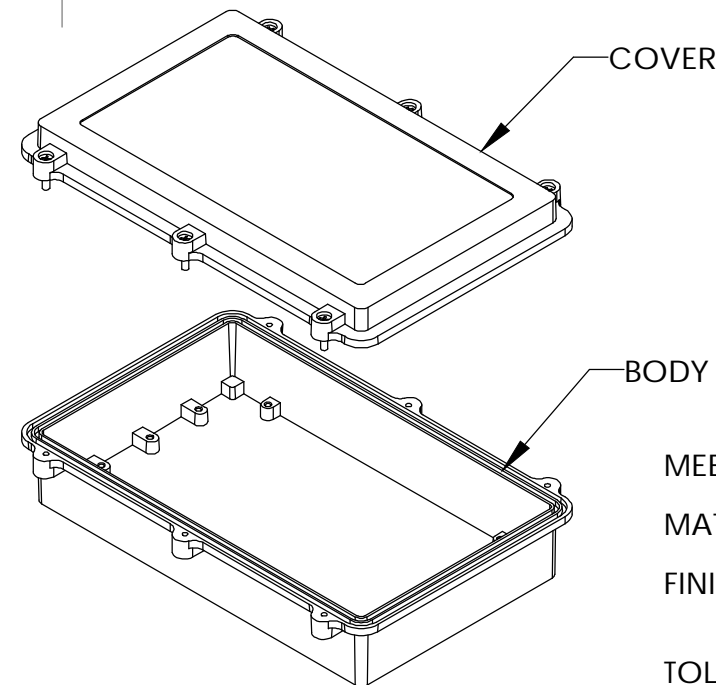


INSIDE COVER DETAILS



DETAIL B  
SCALE 4 : 1

Ø .125 x .315 DEEP (10x) IN BODY (8x) IN COVER  
ACCEPTS M3.5 x 6mm (.236") LG. SELF-TAPPING SCREWS (NOT SUPPLIED)



DETAIL C  
SCALE 4 : 1

MEETS NEMA 1, 2, 4, 4X, 12, 13 AND IP65 RATINGS  
MATERIAL - ALUMINUM ALLOY ADC-12  
FINISH - NATURAL (NO SUFFIX PART NO.)  
- SMOOTH BLACK (-B SUFFIX PART NO.)  
TOLERANCES: ALL HOLE DIAMETERS ±.005  
ALL OTHER DIMENSIONS ±.015